

**200x120 mm
Connector M12**



ORSTD 200/120 PNUK-ST4

Data

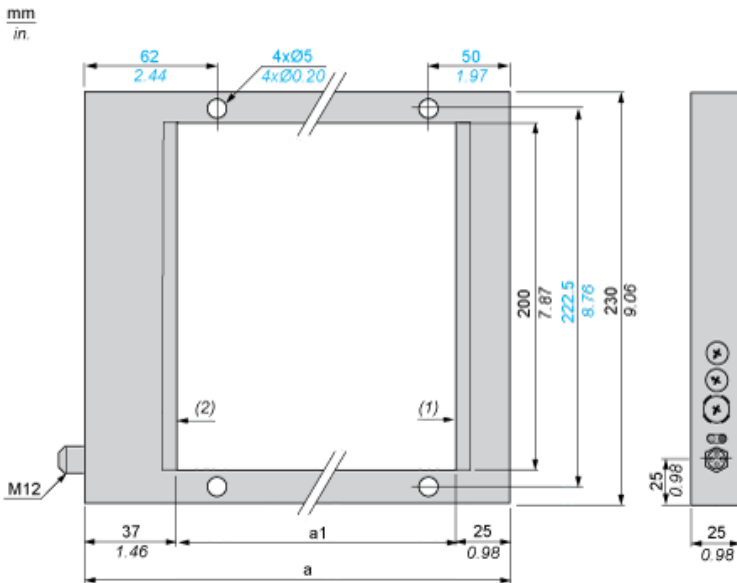
Wiring technique	4-wire
Discrete output type	PNP or NPN
Discrete output function	1 NO or 1 NC programmable
Electrical connection	M12 1 male connector, 4 pins
Product specific application	Dynamic detection of passage of objects Static detection of passage of objects
Minimum object diameter for detection	Dynamic mode : 4 mm (0.1...15 m/s) Static mode : 6 mm

Enclosure material	Painted aluminium
Lens material	Altuglass
Type of output signal	Discrete
Output type	Solid state
Add on output	With alarm output
Status LED	1 LED (red) for alarm 1 LED (amber) for output state
[Us] rated supply voltage	24 V DC with reverse polarity protection
Supply voltage limits	18...30 V DC
Switching capacity in mA	<= 100 mA (overload and short-circuit protection)
Switching frequency	> 5000 Hz
Voltage drop	< 2 V (closed state)
Current consumption	<= 150 mA (no-load)
Time delay range	0...5 s off-delay delay
Delay first up	<= 100 ms
Delay recovery	< 0.1 ms
Setting-up	Sensitivity adjustment with potentiometer
Depth	25 mm
Height	230 mm
Width	205 mm
Product weight	1.06 kg

The informations are provided to best of our knowledge. Subject to change. These products must not applied when the safety of persons rely on their faultless function. Dietz Sensortechnik refuses the liability for consequential loss resulting from the application of sensors from Dietz.

Product certifications	CE CULus
Ambient air temperature for operation	0...60 °C
Ambient air temperature for storage	-20...80 °C
Immunity to ambient light	
Vibration resistance	25 gn, amplitude = +/- 2 mm (f = 10...55 Hz) conforming to IEC 60068-2-6
Shock resistance	30 gn (duration = 11 ms) conforming to IEC 60068-2-27
IP degree of protection	IP65 conforming to IEC 60529

Dimensions



(1) Transmitting face (2) Reception face

Dimensions in mm

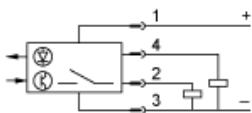
a	a1
182	120

Dimensions in in.

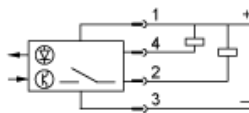
a	a1
7.17	4.72

4-Wire DC

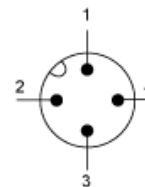
PNP Output



NPN Output



Connector



- 1 : +
- 2 : Not connected
- 3 : -
- 4 : Output

The informations are provided to best of our knowledge. Subject to change. These products must not applied when the safety of persons rely on their faultless function. Dietz Sensortechnik refuses the liability for consequential loss resulting from the application of sensors from Dietz.